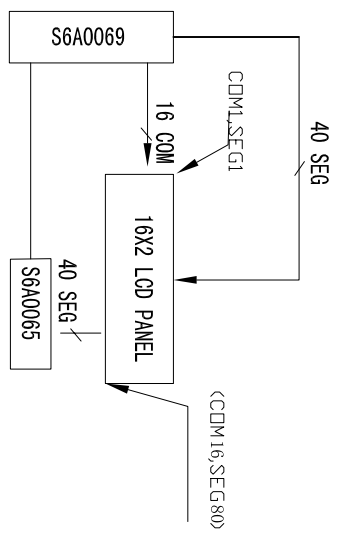
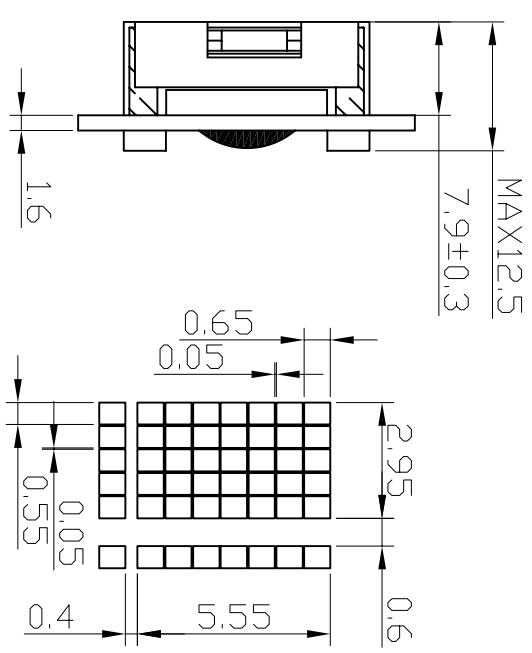
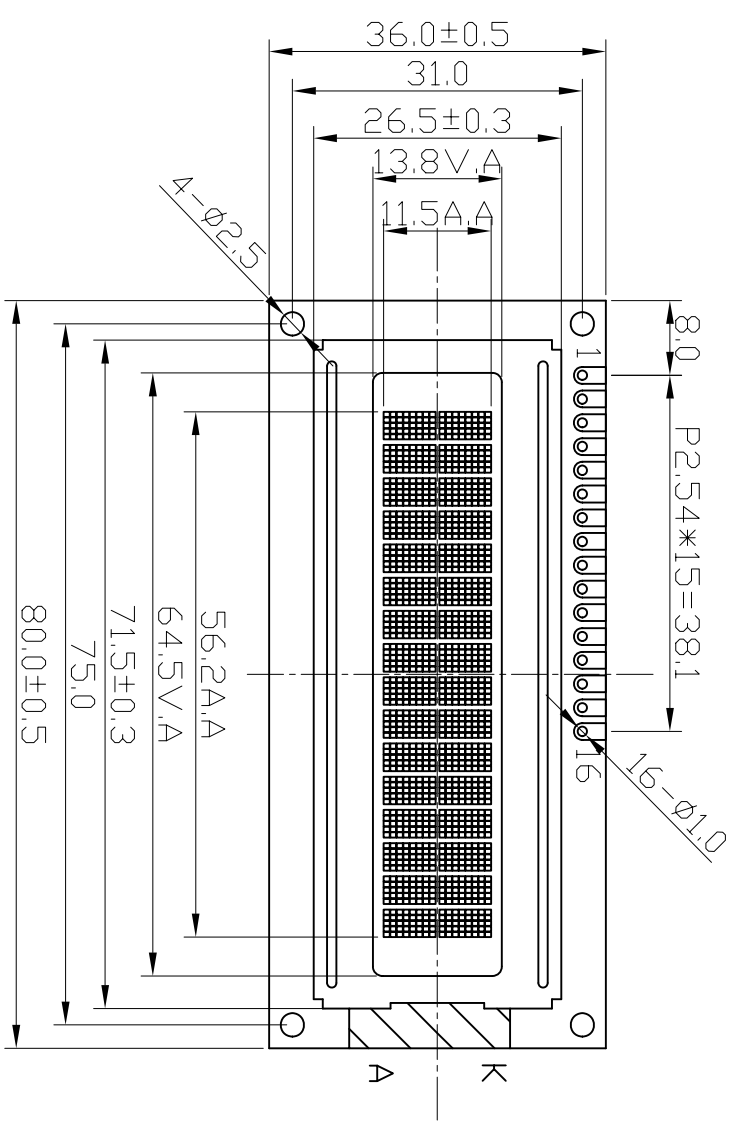


REV.	CHANGE CONTENT	BY	DATE



PIN	1	2	3	4	5	6	7	8	9	10	11	12	13	14	15	16
SYMBOL	GND	VDD	V0	RS	R/W	E	DD	D1	D2	D3	D4	D5	D6	D7	LED+	LED-

TOLERANCE		<h2 style="text-align: center;">LCDRONIC</h2>														
>0~6	±0.10															
>6~80	±0.20															
>80~240	±0.30															
DESIGN		DESIGN	DRAWING No. : HC160204C-b7162L-VB													
CHECKED		CHECKED	DRAWING TITLE: LCM DRAWING													
APPROVED		APPROVED	REV. : A													
STANDARD		STANDARD	SCALE : -													
TECHNOLOGY		TECHNOLOGY	PROJECTION:													
Q.A		Q.A	UNIT : mm													
// 1.0 ±0.10			SHEET : 1/1													

- NOTE:
1. DISPLAY TYPE: STN-BLUE-NEGATIVE
 2. DISPLAY MODE: TRANSMISSIVE
 3. DRIVE METHOD: 1/16 DUTY, 1/5 BIAS, 4.6V Vop, 5V VDD
 4. VIEWING DIR.: 6:00
 5. OP. TEMP.: -20°C~70°C
 6. ST. TEMP.: -30°C~80°C
 7. BACKLIGHT: COLOR-WHITE, 5.0±0.2V, 30mA, MIN.250 CD/m²
 8. DRIVER IC:S6A0069,S6A0065